

ZG-dSVG



V1.2

&\$% \$%

N ! XGJ;

N ! XGJ;

N ! XGJ;

%	.....	%
% %	.....	%
&	.....	(
&" %	.....	(
&" &	.....	(
&"'	.....	)
&" (	.....	*
'	.....	+
' "%	.....	+
' "&	.....	%"
(	.....	%"
(" %	.....	%"
(" &	.....	%"
("'	.....	%"
)	.....	%"
)" %	.....	%"
)" &	.....	%"
)"'	.....	%"
)" (	.....	%"
*	.....	%"
*" %	.....	%"
*" &	.....	%"
*"'	.....	%"
*" (	.....	%"
+	.....	%"
,	.....	%"
, "%	.....	%"
, "&	.....	%"
, "'	.....	%"
, "(	.....	%"
, ")	.....	%"

# 1

N ! XGJ;

## 1.1

%' %' %

◆
◆

%' %' &

◆
◆

◆
◆
◆
◆
◆

%' %' '

◆
◆

- ◆
- ◆
- ◆
- ◆

%'%' (

- ◆
- ◆
- ◆
- ◆
- ◆

- ◆
- ◆
- ◆
- ◆
- ◆

) ( )<sup>c7</sup>

%'%)

- ◆
- ◆
- ◆

' \$

◆

◆  
◆  
  
◆

%'%' \*

◆

%'%' +

◆ N ! XGJ;

N ! XGJ;

# 2

## 2.1

%

!% ( ) ž )?#\

&

-\$%f&\$ Ł )%#\ž

3)

,

(Ł

\$\$\$\$a %\$\$\$\$a

)Ł

&<z -<z O\$"' aa

-<z &\$\$<zž

)a#g<sup>8</sup>

ž

\*Ł

U

!&\$% ž% %

V

&\$kJ5

2.1

## 2.2

%

\*kJ %kJ ' )kJ

&

%—&\$ AJUF

,

- ( ) ag
- ) 0 %
- \* GJ; 2--%
- + 0%\$\$\$a

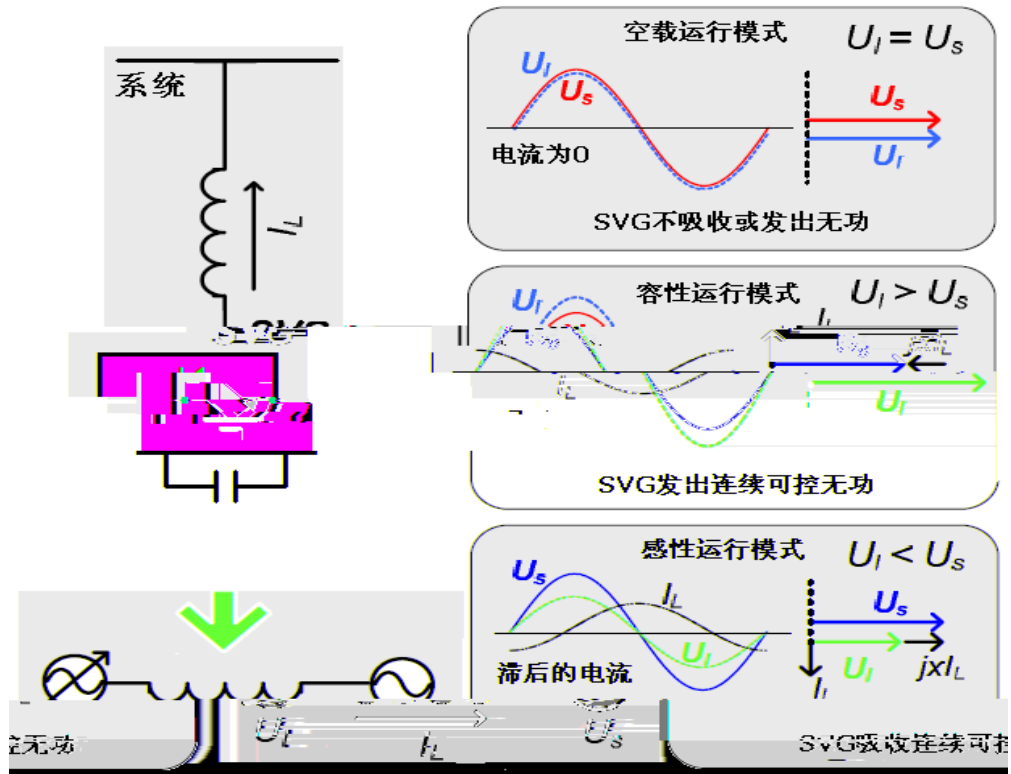
## 2.3

GJ;

GH7CA

GJ;

& %



& %GJ;

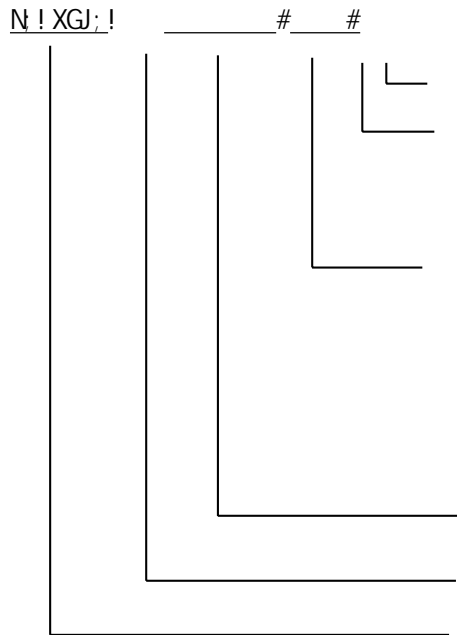
& %

$$I_1 (U_s - U_1) jX_L$$

& %

## 2.4

N ! XGJ;



5! N \$! -

M

K

\$' ' kJ

\$\* \*kJ

;% \$ %kJ

' ) ' ) kJ

kJUF

b <      b <

%kJ

± &\$\$\$kj Uf

%& <

5%\$

N ! XGJ; ! %& &\$\$\$#%\$M#5%\$

N ! XGJ;

%kJ

\*\$\$5

\*\$\$5

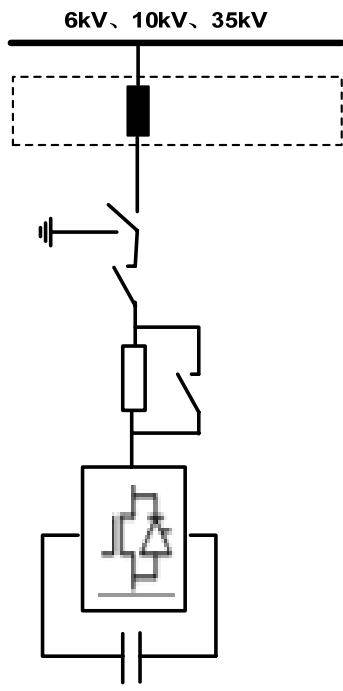
' ) kJ

N ! XGJ;

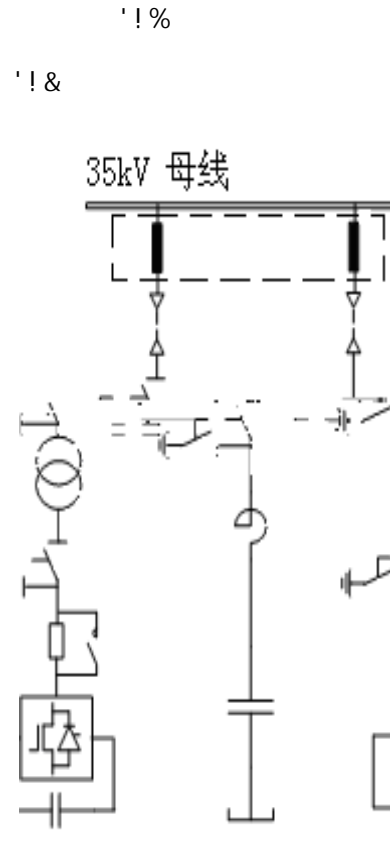
# 3

## 3.1

N ! XGJ;



' ! %



' ! &

' ! %

' ! &

N ! XGJ;

' !

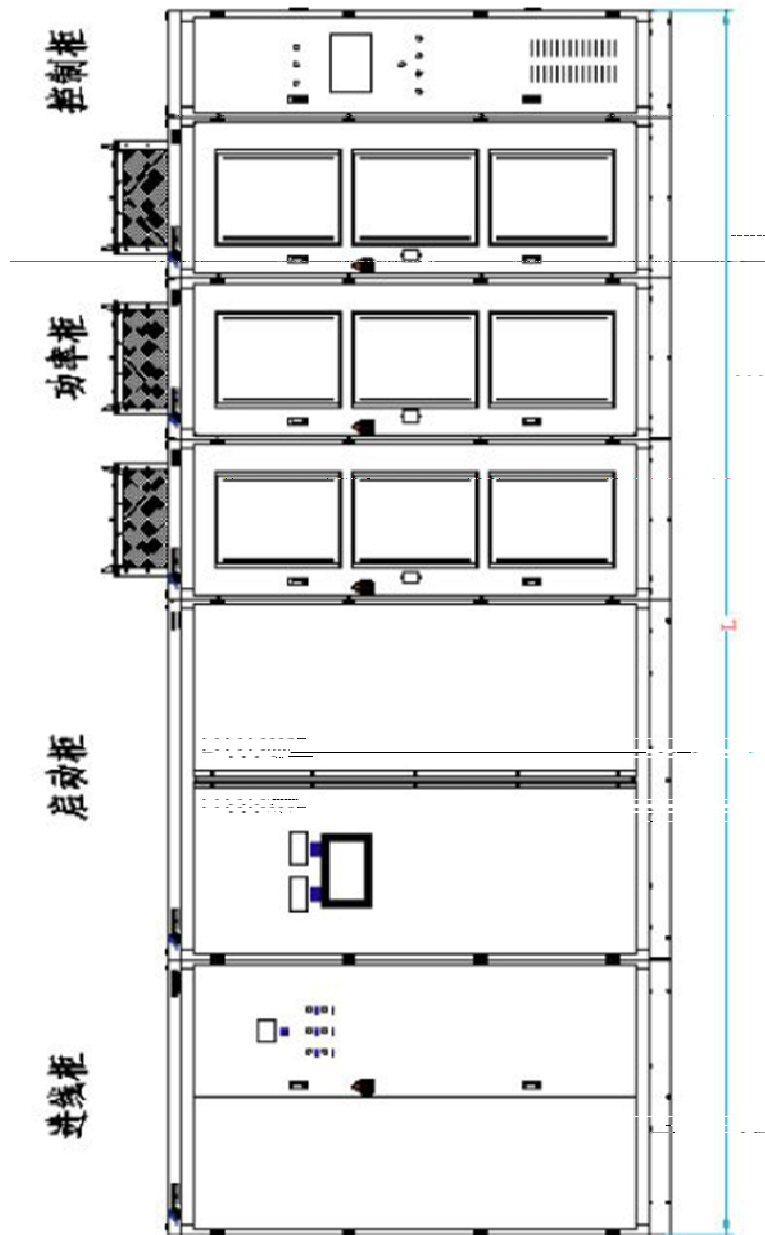
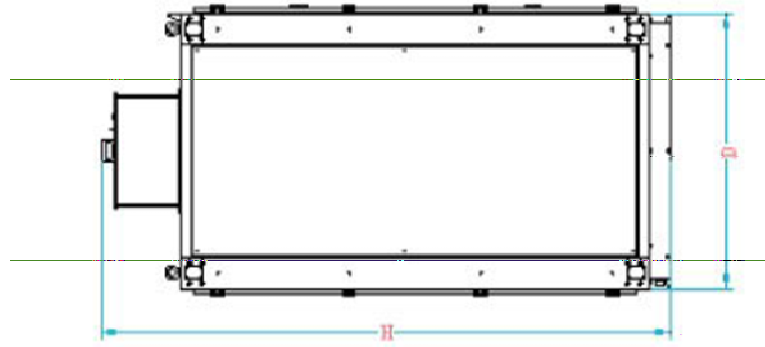
%

&

,

(

I DG



3-3 6kV 10kV ZG-dSVG

% \$kJ ' )kJ

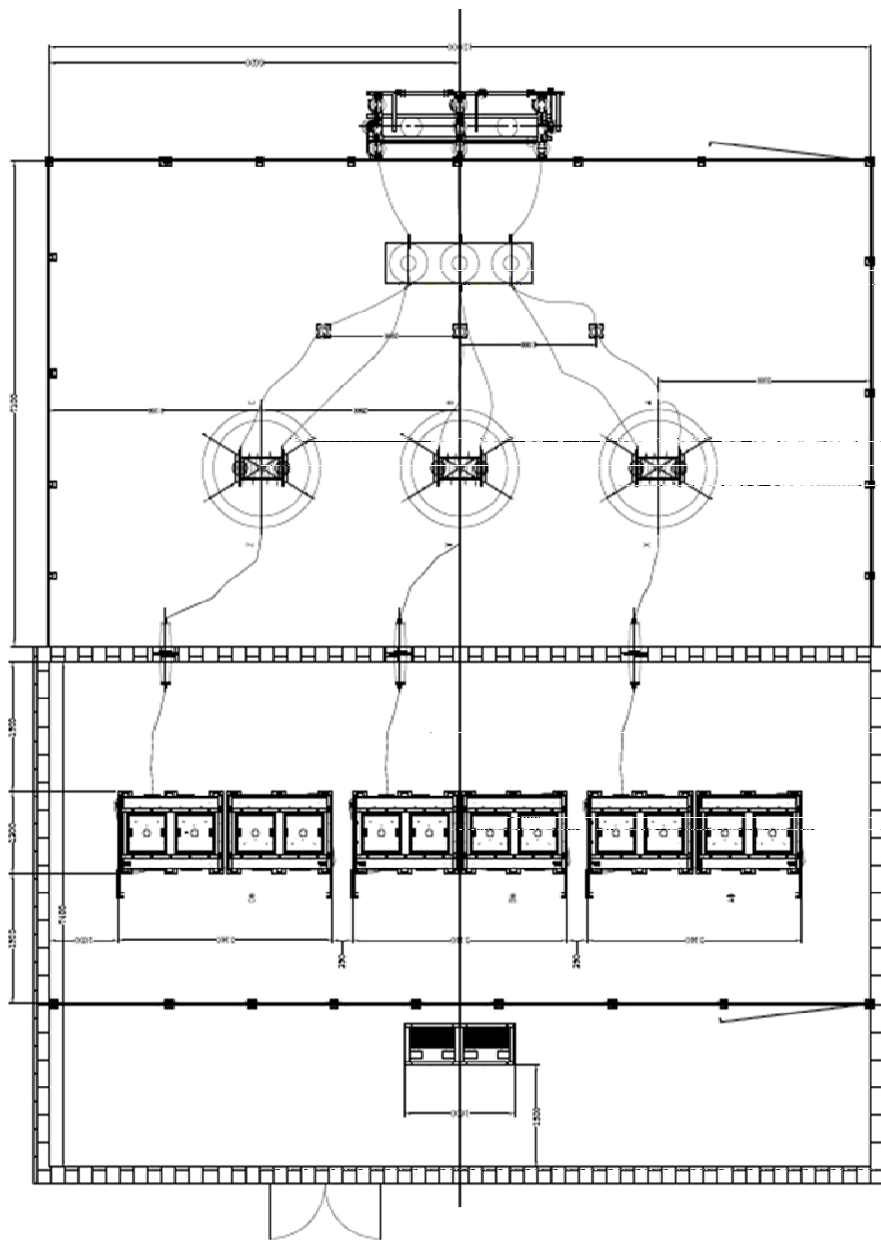
&

' :7

( :7

' )kJ N ! XGJ;

' ! (

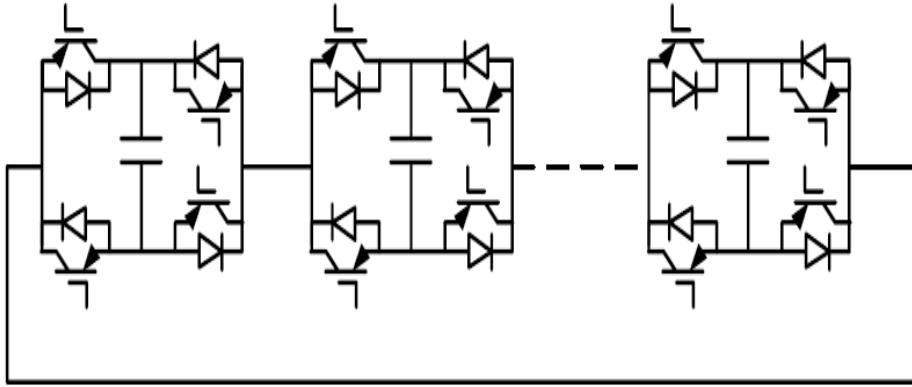


3-4 35kV

ZG-dSVG

### 3.2

%



'!)

'!)

% N ! XGJ;

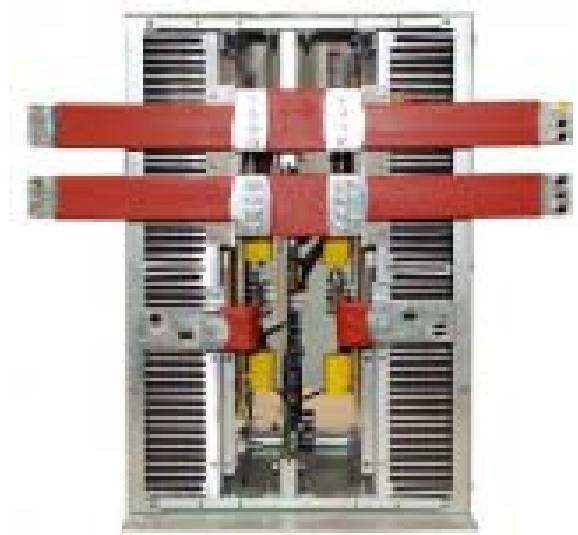
&"

' "

=; 6H

=; 6H

'! \* '!' +



3-6



'!+

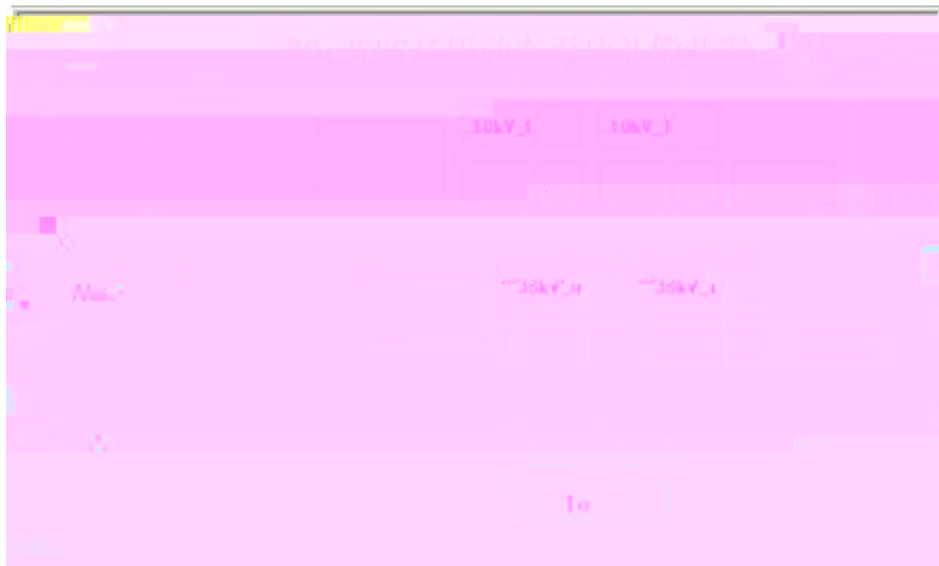
&

N ! XGJ;



'!,

1-



3-9

U

V

W

X

N ! XGJ;

GJ;

#

FG& &#FG(, )

75B

F>()

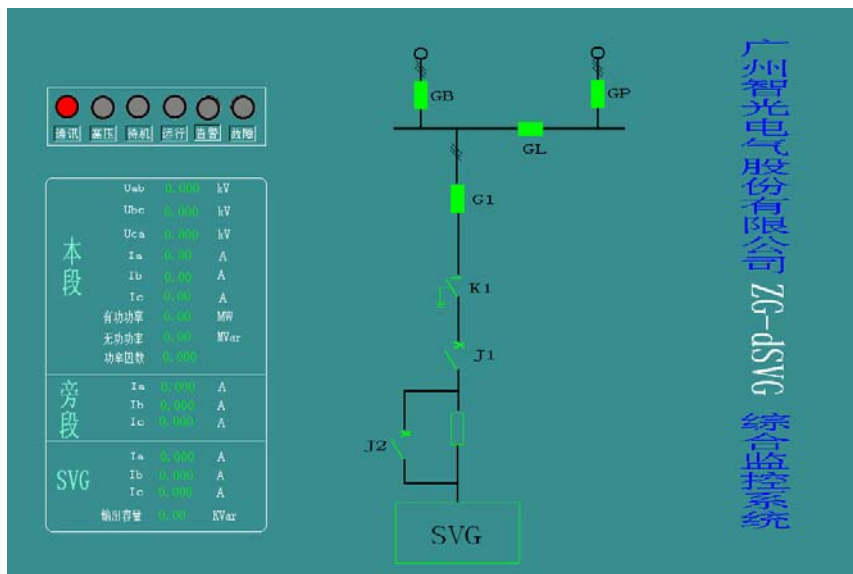
AcXVi g

Df cf] Vi g H7D#=#D =97\*%)\$

; DFG

; DFG

4



3-10

%

k] bXckg LD

&

3

1-25

4

6

5

6

7

8

9

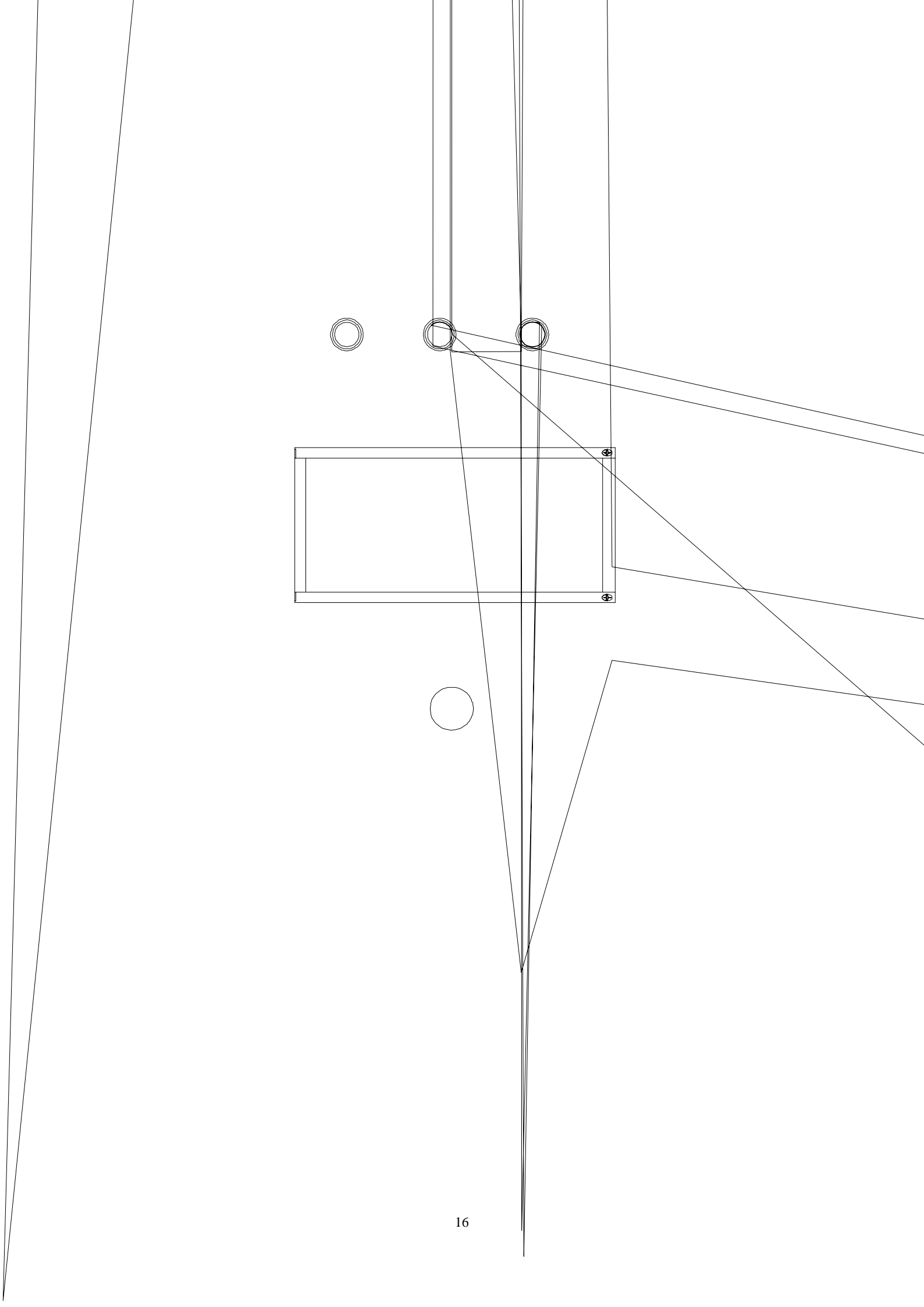
10

11

# 4

## 4.1

%



	/	

4-1

ZG-dSVG

### 4.3

TPC7063H

TPC7062K

FG(.)

%

&

%

&"

-\$-\$+\$

' "

4"

N ! XGJ;

# 5

## 5.1

1. 380V
2. /
- 3.
- 4.
- 5.
- 6.

## 5.2

1. 380V
- 2.
- 3.
- 4.
- 5.

## 5.3

- 1.

2.

380V

3.

4.

5.

6.

7.

## 5.4

1.

2.

3.

4.

3-6

5.

6.

7.

# 6

!%\$ fl

ł

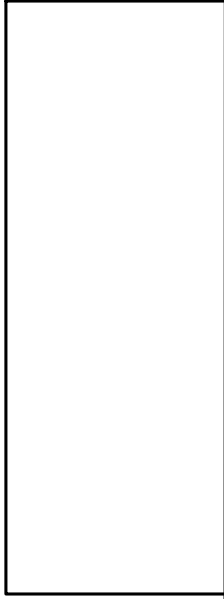
() fl

%\$

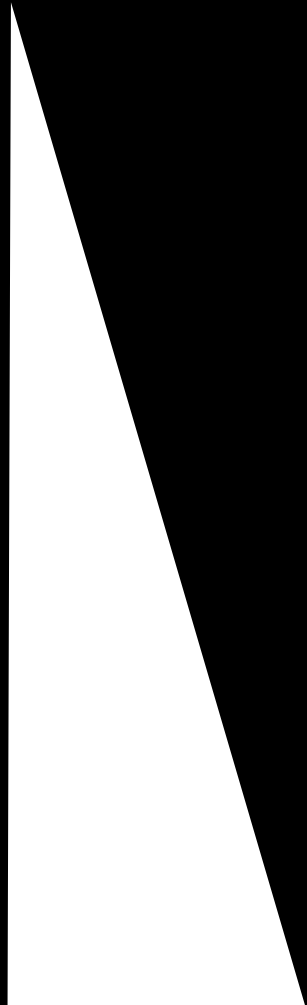
ł

)?#\

## 6.1

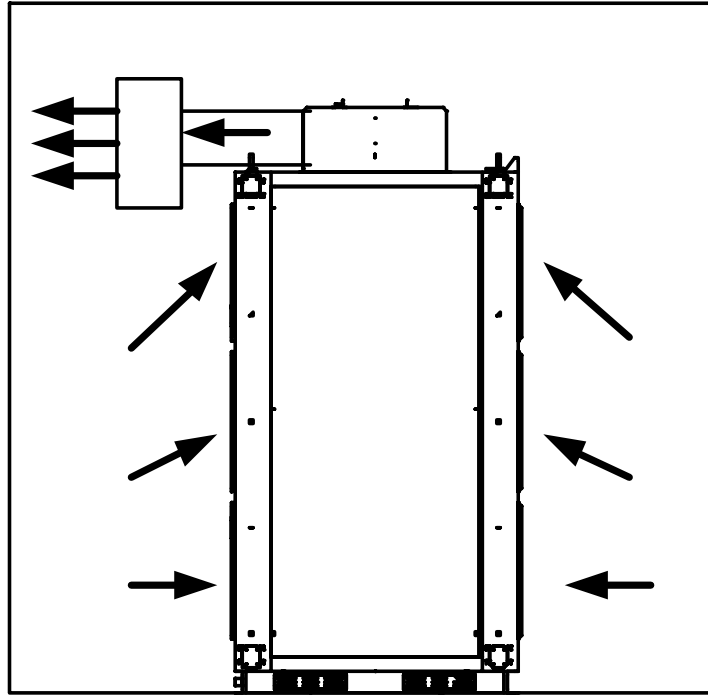


**6.2**



### 6.3

%



\*!'

&

## 6.4

$$G1 = \frac{a \cdot (1 + r)^n}{r} - \frac{a}{r} \quad *! \%$$

G                      a<sup>\*</sup>

5% ( )\$                      %

5& )\*\$                      %

J                      &a#g

# 7

N ! XGJ;

+! %

7-1 ZG-dSVG

1		1.IGBT 2. 3. 4. 5.	1. 2. 3. 4.
2		1. 2. 3. 4.	1. 2. 3. 4.
3		1. PT 2. 3. 4. 5. 6. 7.	1. SVG PT 2. 3. 4. 5. 6.
4		1. 2. 3. 4. 5.	1. 2. 3. 4. 5.
5	/	1. 2. 3. 4. 5.	1. 2. 3. 4.
6		1.PT	1.

		2. 3.	2.
7	1/2	1. 2. 3. 4.	1. 2. 3.
8		1. 2. 3. 4.	1. 2. 3.
9		1. 2. 3. 4.	1. 2. 3.
10		1. 2. 3.	1. 2.
11		1. 2.	1. 2.
12		1. 2. 3. 4.	1. 2. 3.
13		1. UPS 2. 3. 4.	1. UPS 2. 3. 4.
14			1. 2.
15		1. 2. 3. PT 4.	1. 2. 3. PT SVG 4. PT
16	/ /	1. 2. 3.	1. 2. 3.
17		1. 2. ± 15V 3. 4.	1. 2. ± 15V 3. 4.

+! &

+! & ZG-dSVG

%		
&		
'	#	#
(		
)	#	#
*		
+	#	#

# 8

## 8.1

## 8.2

1

2

3

4

5

**8.5**